

EMD1



*FAST ETHERNET MEDIA
CONVERTER 10/100TX TO 100FX*

PoE+

CONTENTS

General functionality and features of the equipment.

Technical specifications.

Application.

Connection scheme

Light signalling description

The central pages contain a 1:1 scale template of the fixation for standalone version.

EMD1



FAST ETHERNET MEDIA CONVERTER

10/100TX to 100FX PoE+ Vdc = 48V

1 and 2 Optical fibers



(-40° to 74°C) Industrial Range

- *Media converter from Ethernet 10/100BaseTX to 100BaseFX*
- *Automatic communication detection (Full duplex or Half duplex)*
- *Bidirectional transmission over 1 or 2 optical fibers*
- *Available versions for multimode or singlemode*
- *Power supply 48 Vdc*
- *Power over Ethernet (PoE+) up 30W*
- *Industrial Temperature Range*
- *Mechanical format: Standalone*

EMD1 Media Converter series allow connection and conversion point to point Ethernet or Fast Ethernet over fiber optic. Reaching distances of 6,5 or 50 Kms depending on model. See table below. Incorporated PoE+ injector up 30W according standard IEEE802.3at.

Frontal LED's for quick verification and installation.

Model	Compatible Models	Wavelength	Connector	Fiber	Max. Power Loss ¹
EMD112N16	EMD112N16 EMC112N16 EMP112N16	1310nm 2 x MM	SC	2x62.5/125 2x50/125	11dB (50/125: 6.5 km) ² (62.5/125: 5 km) ²
EMD115N16	EMD116N16 EMC116N16 EMP116N16	1310/1550nm 1 x MM	SC	2x62.5/125 2x50/125	11dB (50/125: 6.5 km) ² (62.5/125: 5 km) ²
EMD112M16	EMD112M16 EMC112M16 EMP112M16	1310nm 2 x SM	SC	2x9/125	19dB (9/125: 50 km)
EMD115M16	EMD116M16 EMC116M16 EMP116M16	1310/1550nm 1x SM	SC	2x9/125	19dB (9/125: 50 km)

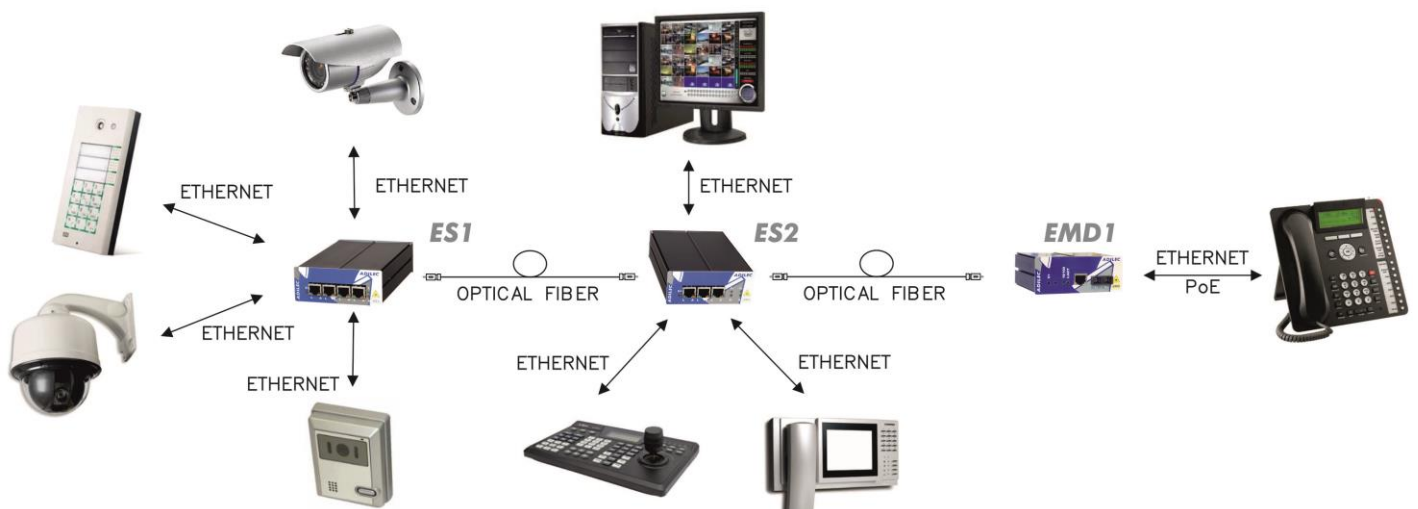
(1) Attenuations: 3dB/Km at 850nm and 1dB Km at 1310nm over fiber cable 62.5/125. Over 9/125, 0.4dB/km at 1310nm.

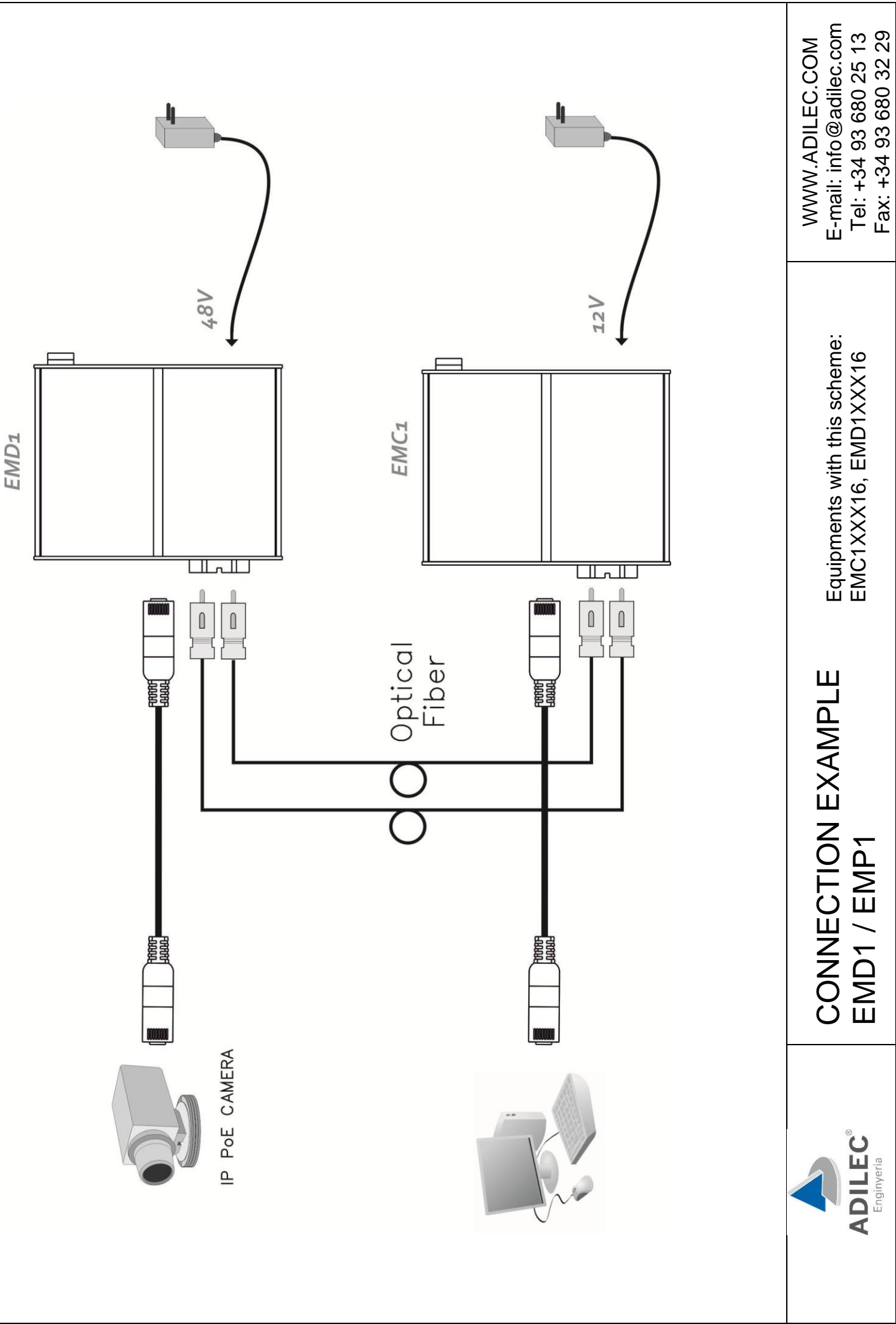
(2) Maximum distance approximated by limited bandwidth (in correct conditions)

Technical specifications:

Communications	
Signal Type	10/100BaseTX
Fiber speed	100Mbps
Operation mode	Full duplex or Half duplex
Media Converter Power Supply	
Max. Consumption	700mA/48Vdc
Power supply	48Vdc \pm 15%
Max. Output Power	30W
Optic characteristics	
Multimode optical power	-19dBm
Multimode receiver sensitivity	-30dBm
Singlemode optical power	-15dBm
Singlemode receiver sensitivity	-34dBm
General	
MTBF	100.000hours
Dimensions EMP1XXX16 (standalone/DIN Rail)	41 \times 106 \times 84 mm
Weight	220 gr
Operating temperature range	-40 to 74 $^{\circ}$ C
Storage temperature range	-55 to 85 $^{\circ}$ C
Relative humidity	95% without condensation

Application:



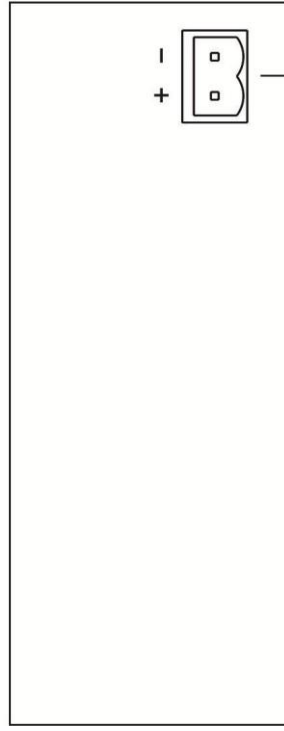


CONNECTION EXAMPLE
EMD1 / EMP1

Equipments with this scheme:
EMC1XXX16, EMD1XXX16

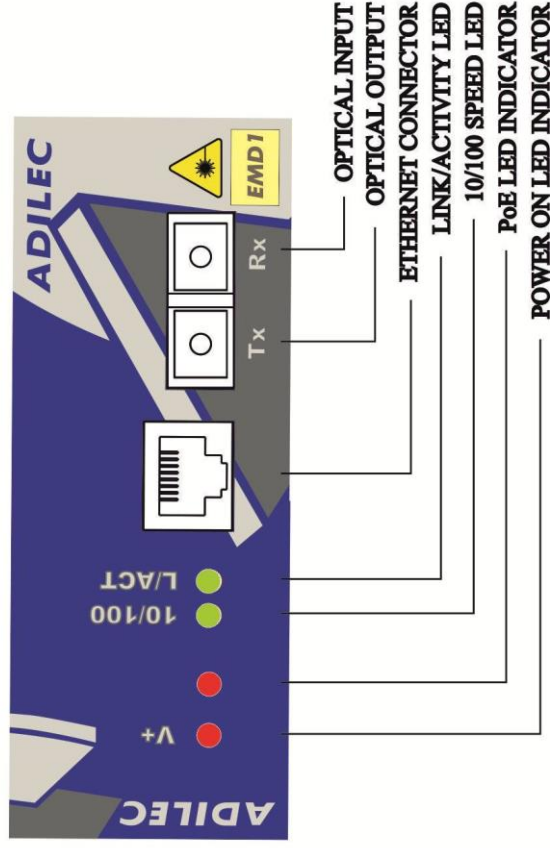
WWW.ADILEC.COM
E-mail: info@adilec.com
Tel: +34 93 680 25 13
Fax: +34 93 680 32 29

Rear View



**48V
POWER SUPPLY
CONNECTOR**

Front View





ADILEC Enginyeria, S.L.

Tel.: +34 93 680 25 13 | Fax: +34 93 680 32 29

e-mail: info@adilec.com

Francesc Macià, 1 08750 Molins de Rei, Spain

www.adilec.com